

**SONY**

**Car Stereo  
Service Bulletin**

**Sony Service Company** - Technical Services  
A Division of Sony Corporation of America  
Sony Drive, Park Ridge, New Jersey 07656

**Model:** XE-90

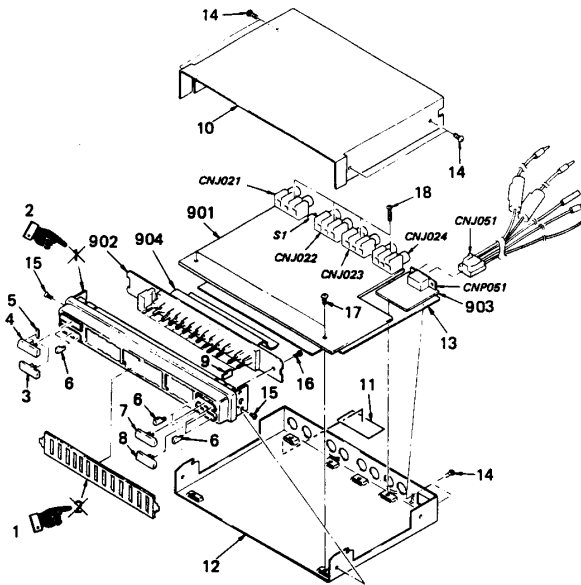
**No. 158**

**Subject:** Service Manual Correction - Page 12 **Date:** February 2, 1990

**Symptom:**  
(\*\*)

The exploded view has Reference Numbers 1 and 2 reversed.  
The Parts List is correct.

**Solution:** Please make the correction to the diagram as shown below:



CSA-14 Miscellaneous

Reference: KCP

PRINTED IN U.S.A.  
CSA-14190-6